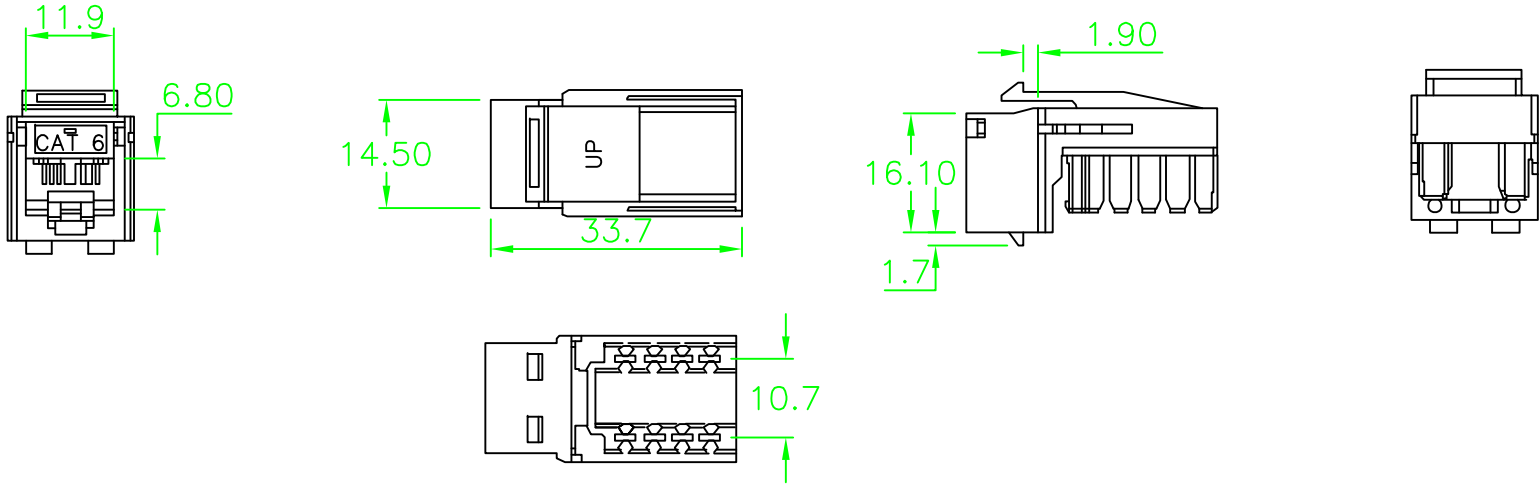


REV	DESCRIPTION	DATE
0	ISSUE	06/01/04



c(UL)us Listed
Communication Circuit Accessories
File E135640

No.	Spec	Specification	Rating
1	UL Applications		250VAC, 2A
2	Dielectric Withstanding Voltage		500VAC
3	Insulation Resistance		≥ 500MΩ
4	Termination Resistance		≤ 35mΩ
5	RI45 Contact		Phosphor Bronze w/50μm Gold Plating
6	Compliance		FCC Part 68 ANSI/TIA-568C

K6-8KP-OR	KEYSTONE INSERT, CAT6 UTP IDC ORANGE	ABS UL94V0
K6-8KP-GY	KEYSTONE INSERT, CAT6 UTP IDC GRAY	ABS UL94V0
K6-8KP-GN	KEYSTONE INSERT, CAT6 UTP IDC GREEN	ABS UL94V0
K6-8KP-YL	KEYSTONE INSERT, CAT6 UTP IDC YELLOW	ABS UL94V0
K6-8KP-BL	KEYSTONE INSERT, CAT6 UTP IDC BLUE	ABS UL94V0
K6-8KP-BK	KEYSTONE INSERT, CAT6 UTP IDC BLACK	ABS UL94V0
K6-8KP-AL	KEYSTONE INSERT, CAT6 UTP IDC ALMOND	ABS UL94V0
K6-8KP-IV	KEYSTONE INSERT, CAT6 UTP IDC IVORY	ABS UL94V0
K6-8KP-WH	KEYSTONE INSERT, CAT6 UTP IDC WHITE	ABS UL94V0
P/N	DESCRIPTION	MATERIAL

LIBERTY AV SOLUTIONS WWW.LIBAV.COM
11675 RIDGELINE DRIVE (800) 530-8998
COLORADO SPRINGS, CO 80921

UNIT: mm	TITLE: Insert Specification INS, KYS, CAT6	
SCALE: 1:1	PART NUMBER: K6-8KP-XX	DR. RP
UNLESS OTHERWISE SPECIFIED TOLERANCES: x ±.015 xx ±.010 xxx ±.005 ANGLE ± 1°	DWG. #: LWC-AAA-00361	CH. RP
SHEET 1/1		AP. RP